

APPLICATIONS

- ◆ Branch panel
- ◆ Main service entrance

STANDARD FEATURES

- ◆ UL & C-UL listed, CE
- ◆ 2-year warranty
- ◆ 3-line fusing with blown fuse indication
- ◆ Discharge resistors per NEC requirements
- ◆ Assembled in the USA

STANDARD RATINGS

- ◆ 240, 480, 600 V
- ◆ 3-phase
- ◆ 60 Hz

CAPACITOR CELLS

- ◆ 20-year rated life
- ◆ 2-year warranty
- ◆ Self-contained, 3-phase, delta-connected
- ◆ Industrial grade dry-type construction
- ◆ Losses of less than ½ watt per kVAR
- ◆ Self-healing metallized polypropylene dielectric film
- ◆ 3-phase pressure-actuated interrupter
- ◆ Hermetically-sealed tin-plated steel case
- ◆ Threaded insulated terminals

FUSES

- ◆ Fast-acting, current-limiting, with 200,000 ampere interrupting capacity

ENCLOSURES

- ◆ Built to NEMA 12 specifications for indoor use
- ◆ Wall-mounted or free-standing with hinged door and lockable door handle

FIELD WIRING TERMINATION

- ◆ Mechanical connections are provided for all field wiring termination points
- ◆ Refer to product manual for incoming conductor information

LOSS-OF-CAPACITANCE INDICATION

- ◆ Patented CelTel® brand monitoring system
- ◆ Indicates when capacitor assembly is no longer functioning effectively
- ◆ Phase imbalance indication
- ◆ Overcurrent and undercurrent indication
- ◆ Reset function
- ◆ Self diagnostic function

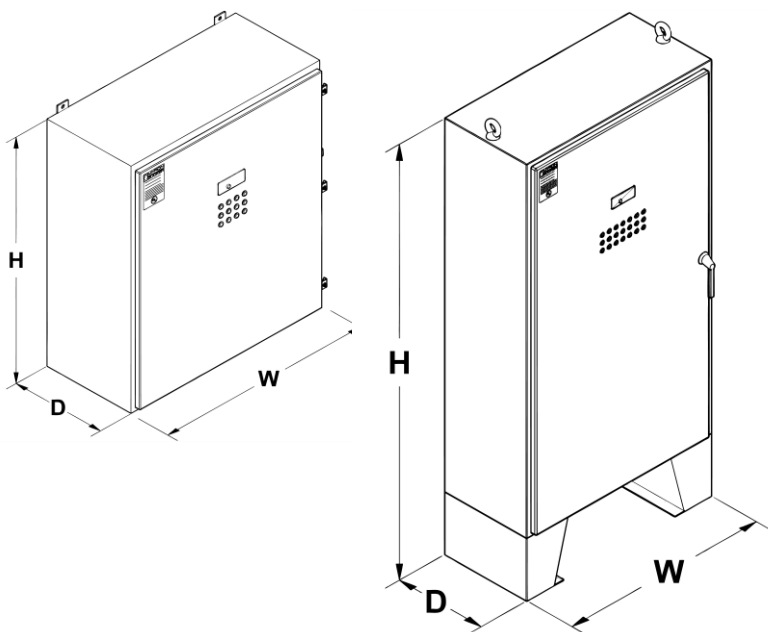


CIM Model

OPTIONS

- ◆ Circuit breaker or disconnect switch
- ◆ Other enclosure ratings available
- ◆ Other voltages and frequencies available
- ◆ Installation and start-up services
- ◆ Equipment financing

MYRON ZUCKER CAPACIBANK® Brand Capacitor Series



CASE DIMENSIONS			
CASE	H	W	D
W2	36.00	24.00	16.00
W4	36.00	36.00	16.00
F1	84.00	41.00	18.00
W2, W4: Wall-mounted; F1: Free-standing			

All dimensions are in inches. We reserve the right to change dimensions without notice.

SELECTION CHART

240 V / 3Ø / 60 Hz				480 V / 3Ø / 60 Hz				600 V / 3Ø / 60 Hz			
kVAr	PART NUMBER	AMPS*	CASE	kVAr	PART NUMBER	AMPS*	CASE	kVAr	PART NUMBER	AMPS*	CASE
75	CIM23075-3	180	W2	150	CIM43150-3	180	W2	150	CIM63150-3	144	W2
100	CIM23100-3	240	W2	175	CIM43175-3	210	W2	175	CIM63175-3	168	W2
125	CIM23125-3	300	W4	200	CIM43200-3	240	W2	200	CIM63200-3	192	W2
150	CIM23150-3	360	W4	225	CIM43225-3	270	W2	225	CIM63225-3	216	W2
175	CIM23175-3	420	F1	250	CIM43250-3	300	W4	250	CIM63250-3	240	W4
200	CIM23200-3	480	F1	300	CIM43300-3	360	W4	300	CIM63300-3	288	W4
225	CIM23225-3	540	F1	350	CIM43350-3	420	W4	350	CIM63350-3	336	W4
300	CIM23300-3	600	F1	400	CIM43400-3	480	F1	400	CIM63400-3	384	F1
				450	CIM43450-3	540	F1	450	CIM63450-3	432	F1
				500	CIM43500-3	600	F1	500	CIM63500-3	480	F1
				550	CIM43550-3	660	F1	550	CIM63550-3	528	F1
				600	CIM43600-3	720	F1	600	CIM63600-3	576	F1

* The ampacity of capacitor circuit conductors shall not be less than 135% of the rated current of the capacitor (Per NEC).