

AUTOCAPACIBANK™ Brand Capacitor Series

AUTOCAPACIBANK™

APPLICATIONS

- Branch panel
- Main service entrance

STANDARD FEATURES

- UL 508A listed
- 2-year warranty
- 3-line fusing with blown fuse indication
- Automatically maintains target power factor
- Discharge resistors per NEC requirements
- Capacitor rated contactors with precharge coil
- Assembled in the USA

STANDARD RATINGS

- 240, 480, 600 Volts
- 3-phase
- 60 Hertz



CAPACITOR CELLS

- 20-year rated life
- 5-year warranty
- Self-contained, 3-phase, delta-connected
- Industrial grade dry-type construction
- Losses of less than ½ watt per kVAR
- Self-healing metallized polypropylene dielectric film
- 3-phase pressure-actuated interrupter
- Hermetically sealed steel case
- Threaded insulated terminals

FUSES

- Fast-acting, current-limiting, with 200,000 ampere interrupting capacity

ENCLOSURES

- Built to NEMA 12 specifications for indoor use
- Wall-mounted or free-standing with hinged door and lockable door handle

FIELD WIRING TERMINATION

- Mechanical connections are provided for all field wiring termination points

MODELS

Model selection based on automatic power factor (VAR) controller features

- ACIM Model
- ACNM Model

ACIM MODEL

- Digital programming with dual displays
- Voltage and current measurement
- Independent voltage measure input
- Internal panel temperature sensor
- Voltage and current harmonic event log
- RS232 programming and supervision interface
- RS485 supervision interface
- Automatic set-up function
- Capacitor overload protection and step failure

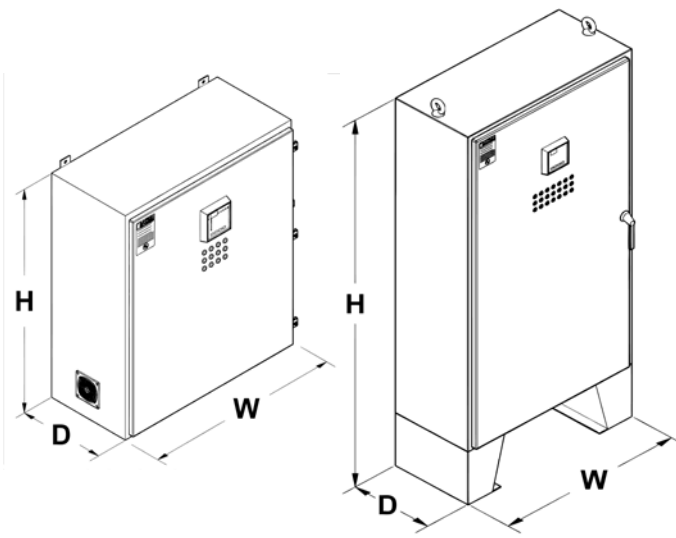
ACNM MODEL

- Digital programming
- Voltage and current measurement
- Internal panel temperature sensor
- TTL/RS232 programming interface
- Capacitor overload protection
- Automatic set-up function

OPTIONS

- Circuit breaker or disconnect switch
- Other enclosure ratings available
- Other voltage and phase applications available
- Other kVAR configurations available
- Remote supervision software for PC interface
- Surge protection device

AUTOCAPACIBANK™ Brand Capacitor Series



ENCLOSURE DIMENSIONS			
ENC.	H	W	D
W5	42.00	30.00	16.00
W6	42.00	36.00	16.00
F1	84.00	41.00	18.00

W5, W6: Wall-mounted; F1: Free-standing

All dimensions are in inches. Myron Zucker, Inc. reserves the right to change dimensions without notice.

STANDARD SELECTION CHART

Complete part number by inserting (VAR) controller preference
See page 10 for **ACIM** and **ACNM** Model features

240V / 3Φ / 60Hz					480V / 3Φ / 60Hz					600V / 3Φ / 60Hz				
kVAR	PART NUMBER	STEPS	AMPS*	ENC.	kVAR	PART NUMBER	STEPS	AMPS*	ENC.	kVAR	PART NUMBER	STEPS	AMPS*	ENC.
50	AC_M23050-3	3	120	W5	50	AC_M43050-3	3	60	W5	50	AC_M63050-3	3	48	W5
75	AC_M23075-3	3	180	W5	75	AC_M43075-3	3	90	W5	75	AC_M63075-3	3	72	W5
100	AC_M23100-3	4	241	W5	100	AC_M43100-3	3	120	W5	100	AC_M63100-3	3	96	W5
125	AC_M23125-3	5	301	W6	150	AC_M43150-3	3	180	W5	150	AC_M63150-3	3	144	W5
150	AC_M23150-3	6	361	W6	200	AC_M43200-3	4	241	W5	200	AC_M63200-3	4	192	W5
175	AC_M23175-3	7	421	F1	250	AC_M43250-3	5	301	W6	250	AC_M63250-3	5	241	W6
200	AC_M23200-3	8	481	F1	300	AC_M43300-3	5	361	W6	300	AC_M63300-3	5	289	W6
225	AC_M23225-3	9	541	F1	350	AC_M43350-3	6	421	W6	350	AC_M63350-3	6	337	W6
250	AC_M23250-3	10	601	F1	400	AC_M43400-3	7	481	F1	400	AC_M63400-3	7	385	F1
					450	AC_M43450-3	8	541	F1	450	AC_M63450-3	8	433	F1
					500	AC_M43500-3	9	601	F1	500	AC_M63500-3	9	481	F1
					550	AC_M43550-3	10	662	F1	550	AC_M63550-3	10	529	F1
					600	AC_M43600-3	10	722	F1	600	AC_M63600-3	10	577	F1

*The ampacity of capacitor circuit conductors shall not be less than 135% of the rated circuit of the capacitor Per NEC 2008