

MODEL: CNM Capacibank

- ◆ With blown fuse indication

APPLICATIONS

- ◆ Branch panel
- ◆ Main service entrance

STANDARD FEATURES

- ◆ UL & C-UL listed, CE
- ◆ 2-year warranty
- ◆ 3-line fusing with blown fuse indication
- ◆ Discharge resistors per NEC requirements
- ◆ Assembled in the USA

STANDARD RATINGS

- ◆ 240, 480, 600 V
- ◆ 3-phase
- ◆ 60 Hz

CAPACITOR CELLS

- ◆ 20-year rated life
- ◆ 2-year warranty
- ◆ Self-contained, 3-phase, delta-connected
- ◆ Industrial grade dry-type construction
- ◆ Losses of less than ½ watt per kVAr
- ◆ Self-healing metallized polypropylene dielectric film
- ◆ 3-phase pressure-actuated interrupter
- ◆ Hermetically-sealed tin-plated steel case
- ◆ Threaded insulated terminals

FUSES

- ◆ Fast-acting, current-limiting, with 200,000 ampere interrupting capacity

ENCLOSURES

- ◆ Built to NEMA 12 specifications for indoor use
- ◆ Wall-mounted or free-standing with hinged door and lockable door handle

FIELD WIRING TERMINATION

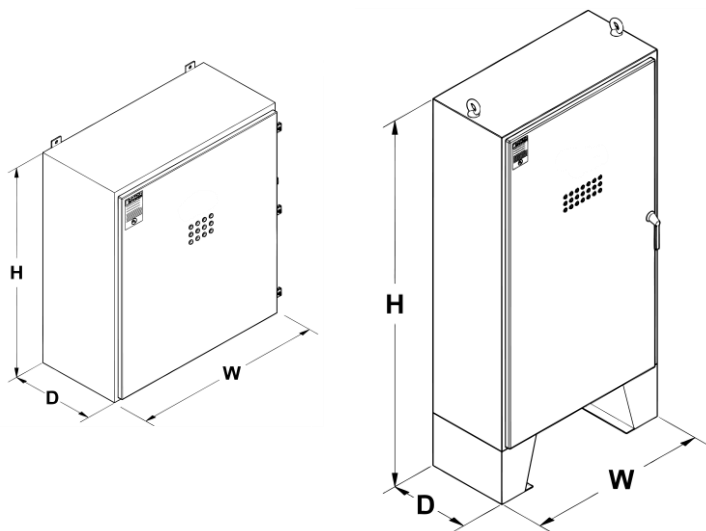
- ◆ Mechanical connections are provided for all field wiring termination points
- ◆ Refer to product manual for incoming conductor information



OPTIONS

- ◆ Circuit breaker or disconnect switch
- ◆ Other enclosure ratings available
- ◆ Other voltages and frequencies available
- ◆ Installation and start-up services
- ◆ Equipment financing

MYRON ZUCKER CAPACIBANK® Brand Capacitor Series



CASE DIMENSIONS			
CASE	H	W	D
W2	36.00	24.00	16.00
W4	36.00	36.00	16.00
F1	84.00	41.00	18.00
W2, W4: Wall-mounted; F1: Free-standing			

All dimensions are in inches. We reserve the right to change dimensions without notice.

SELECTION CHART

240 V / 3Ø / 60 Hz				480 V / 3Ø / 60 Hz				600 V / 3Ø / 60 Hz			
kVAr	PART NUMBER	AMPS*	CASE	kVAr	PART NUMBER	AMPS*	CASE	kVAr	PART NUMBER	AMPS*	CASE
75	CNM23075-3	180	W2	150	CNM43150-3	180	W2	150	CNM63150-3	144	W2
100	CNM23100-3	240	W2	175	CNM43175-3	210	W2	175	CNM63175-3	168	W2
125	CNM23125-3	300	W4	200	CNM43200-3	240	W2	200	CNM63200-3	192	W2
150	CNM23150-3	360	W4	225	CNM43225-3	270	W2	225	CNM63225-3	216	W2
175	CNM23175-3	420	F1	250	CNM43250-3	300	W4	250	CNM63250-3	240	W4
200	CNM23200-3	480	F1	300	CNM43300-3	360	W4	300	CNM63300-3	288	W4
225	CNM23225-3	540	F1	350	CNM43350-3	420	W4	350	CNM63350-3	336	W4
300	CNM23300-3	600	F1	400	CNM43400-3	480	F1	400	CNM63400-3	384	F1
				450	CNM43450-3	540	F1	450	CNM63450-3	432	F1
				500	CNM43500-3	600	F1	500	CNM63500-3	480	F1
				550	CNM43550-3	660	F1	550	CNM63550-3	528	F1
				600	CNM43600-3	720	F1	600	CNM63600-3	576	F1

* The ampacity of capacitor circuit conductors shall not be less than 135% of the rated current of the capacitor (Per NEC).