

## MODEL: CNX Capacibank

- ◆ With blown fuse indication

## APPLICATIONS

- ◆ Branch panel
- ◆ Main service entrance

## STANDARD FEATURES

- ◆ UL & C-UL listed, CE
- ◆ 2-year warranty
- ◆ 3-line fusing with blown fuse indication
- ◆ Discharge resistors per NEC requirements
- ◆ Assembled in the USA

## STANDARD RATINGS

- ◆ 240, 480, 600 V
- ◆ 3-phase
- ◆ 60 Hz

## CAPACITOR CELLS

- ◆ Continuous voltage rating:
  - 528 V for 480 V application
  - 660 V for 600 V application
  - 264 V for 240 V application
- ◆ Continuous current rating: 165% of nominal
- ◆ Ambient temperature rating: 140° F
- ◆ 130,000 hours rated life
- ◆ 2-year warranty
- ◆ Self-contained, 3-phase, delta-connected
- ◆ Industrial grade dry-type construction
- ◆ Losses of less than ½ watt per kVAr
- ◆ Self-healing metallized polypropylene dielectric film
- ◆ 3-phase overpressure disconnect
- ◆ Hermetically-sealed aluminum case
- ◆ Finger-safe, maintenance free terminals

## FUSES

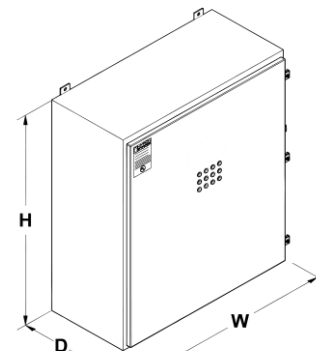
- ◆ Fast-acting, current-limiting, with 200,000 ampere interrupting capacity

## ENCLOSURES

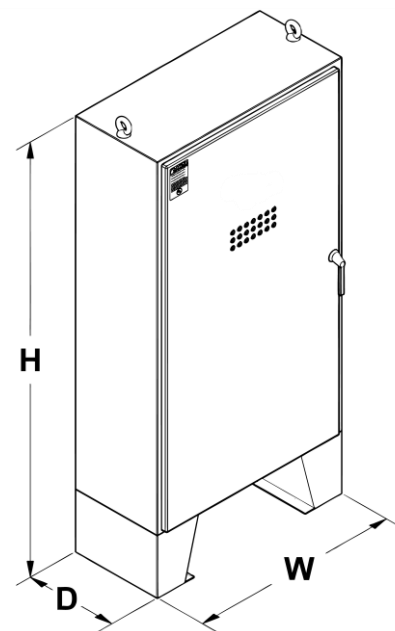
- ◆ Built to NEMA 12 specifications for indoor use
- ◆ Wall-mounted or free-standing with hinged door and lockable door handle

## FIELD WIRING TERMINATION

- ◆ Mechanical connections are provided for all field wiring termination points
- ◆ Refer to product manual for incoming conductor information



Wall-mount enclosure



Free-standing enclosure

## OPTIONS

- ◆ Circuit breaker or disconnect switch
- ◆ Other enclosure ratings available
- ◆ Other voltages and frequencies available
- ◆ Installation and start-up services
- ◆ Equipment financing